

2017 est une année pleine de nouveautés pour la marque. Deux catégories segmentent la gamme. Du VTT de randonnée sportive au cross country, B'TWIN propose à ses pratiquants une gamme complète.

ROCKRIDER 500 SERIES

Du premier prix au milieu de gamme, semi-rigide ou tout suspendu, les ROCKRIDER de la série 500 répondent aux mêmes promesses.

Le design et le colorama de la gamme ont été travaillés afin de proposer une panoplie complète et harmonieuse, du textile au vélo, en passant par les équipements (casques, chaussures...).

Des éditions spécifiques pour la femme ont également été conçues.

L'accent a aussi été mis sur le confort. En effet, les ROCKRIDER disposent de la géométrie CGF, d'un large taillant, d'une tige de selle « flex », d'une potence 0/30 réhaussable, d'une selle ERGOFIT ou encore de poignées ERGOGRIIP.

Des composants ont été imaginés afin de faciliter l'utilisation des ROCKRIDER, notamment les suspensions U-FIT brevetées, les indications de pression sur les pneus, le collier de selle ERGOLOCK, ou encore le système de blocage de suspensions COMBOLOCK.

De plus, la gamme propose un très bon rapport légèreté/prix au niveau des cadres et des roues, ainsi qu'un excellent rapport qualité/prix et une garantie à vie*.

ROCKRIDER 700 & 900 SERIES

Cette année, les modèles de la gamme proposent des partis pris forts, au service de la performance, de la légèreté et de la facilité d'utilisation.

A l'image des 500, le design des 700 et des 900 a été travaillé en panoplie pour s'harmoniser avec les accessoires, le textile, les casques ainsi que les chaussures. Le design complet du vélo a été revu afin d'exprimer la vitesse, la technique et l'élégance.

Afin de simplifier la vie des cyclistes, l'utilisation de la transmission 1x11, en partenariat avec SRAM, s'est démocratisée au sein de la gamme.

Chaque modèle est équipé du système de blocage de suspensions COMBOLOCK, plus facile, plus ergonomique et plus sécuritaire. Le cadre carbone du 960 est plus léger, plus efficace et propose également un design plus épuré. Tous les vélos sont dotés de roues MAVIC, reconnues pour leur qualité et leur performance.

Et parce que B'TWIN n'est pas qu'une simple marque de vélos, elle propose également tous les accessoires et équipements qui viennent faciliter la vie de chaque cycliste, pour que les sorties VTT ne soient plus qu'une source de plaisir.

*La garantie à vie concerne le cadre aluminium, la potence et le cintre.

2017 is a year full of news for the brand. The range is now segmented in two families. From trekking to cross country, B'TWIN offers to its users a full range.

ROCKRIDER 500 SERIES

From the first price to the mid-range, hardtails and full suspensions bikes, the ROCKRIDER 500 SERIES meet the same promises.

The design and the colorama of the range have been conceived to match perfectly and harmoniously, including garment and equipment (helmets, shoes...). Specific women editions have also been designed.

Emphasis has been also put on the comfort. Indeed, ROCKRIDER frames have the CGF geometry and also a wide fitting, a flexible seatpost, a 0/30 extendible stem, an ERGOFIT saddle and also ERGOGRIIP handles.

Components have been designed to facilitate the use of the ROCKRIDER, including patented U-FIT suspensions, pressure indications on the tires, ErgoLock seatpost, and the COMBOLOCK suspension locking system. Ultimately, the range offers a very good lightness / price ratio concerning the frames and the wheels, an excellent quality / price ratio and a lifetime warranty*.

ROCKRIDER 700 & 900 SERIES

This year, the models of the range offer some strong strategic biases at the service of performance, lightness and ease of use.

Like the 500 SERIES bikes, the design of the 700 & 900 SERIES range has been thought of to match with accessories, garment, as well as helmets and shoes. The complete design of the bike has been reviewed in order to express speed, technicity and elegance.

To make life easier for cyclists, the use of the 1x11 transmission, in partnership with SRAM, has been democratized in the full range.

Each model is equipped with the COMBOLOCK suspension locking system, easier, safer and more ergonomic. The carbon frame of the 960 is lighter, more efficient and also offers a more streamlined design. All bikes are equipped with Mavic wheels, known for their quality and performance.

And because B'TWIN is not only a bike brand, it also offers all the accessories and equipment that make life easier for each cyclist, so that mountain biking becomes only pleasure.

* The lifetime warranty includes the aluminum frame, the stem and the handlebar.



RANGE



RR 340
199,99 €

6



RR 520
299,99 €

8



RR 520 S
399,99 €

16



RR 540 S
599,99 €

18



RR 900
899,99 €

26



RR 920
1249,99 €

28



RR 540
459,99 €

10



RR 560
659,99 €

17



RR 560 S
899,99 €

20



RR 740 S
1399,99 €

27



RR 960
1599,99 €

30



ROCKRIDER 340

XS / S / M / L / XL

14,85 Kg

199,99 €



- MTB Helmet 500 White/Yellow 29,99 €
- MTB Jersey 500 Yellow/Blue/White 25,99 €
- MTB Short 500 Peacoat 19,99 €
- Undershirt 500 29,99 €
- Backpack HB 500 Black 19,99 €
- MTB Shoes 100 Black 39,99 €

-  ROCKRIDER Comfort Geometry Frame Alloy 6061 26"
-  BTWIN U-Fit 80 mm & Weight Adjuster / SUNTOUR XCT 80 mm
-  //
-  Alloy Stem 90 mm (XS / S / M) / 110 mm (L / XL)
-  Steel Handlebar 620 mm
-  BTWIN Sport 300 Short
-  BTWIN Ergofit
-  Steel Seatpost 29,8 mm x 350
-  SRAM MRX20
-  SHIMANO TZ30 3 Speeds / MICROSHIFT MS22 3 Speeds
-  SHIMANO TY21
-  SHIMANO TZ21 14/28
-  Steel Crankset 22/34/42
-  Thun Jive 3.0
-  KMC Z51
-  BTWIN Flat Resine
-  BTWIN Alloy Single Wall 26" 36 Spokes
-  BTWIN Alloy Hub
-  Round / 32
-  BTWIN All Terrain Dry 26 x 2,0
-  BTWIN All Terrain Dry 26 x 2,0
-  BTWIN V-Brake Steel
-  TEKTRO V-Brake

ORANGE



GREY



WHITE



YELLOW

ROCKRIDER 520

 S / M / L / XL

 14,70 Kg

 299,99 €



MTB Helmet 500 Blue	29,99 €
MTB Jersey 500 Black/Blue	25,99 €
MTB Short 500 Black	19,99 €
Undershirt 500	29,99 €
Backpack HB 500 Blue	19,99 €
MTB Shoes 100 Black	39,99 €

ROCKRIDER Comfort Geometry Evolution Frame Alloy 6061 27,5"

BTWIN U-Fit 80 mm & Weight Adjuster

//

BTWIN Upside Down 0/30 70 / 80 / 80 / 90 mm

BTWIN Sport Oversize 660 / 660 / 680 / 680 mm

BTWIN Sport Ribbed

BTWIN Ergofit Evo

BTWIN Sport 27,2 mm

SRAM X4

MICROSHIFT MS22 3 Speeds

SRAM X3 8 Speeds

SHIMANO PG820 11/32

SRAM S200 22/32/42

Thun Jive 3.0

SRAM PC830

BTWIN Flat Resine

AERO Trail Evo 27,5" Double Walls
28 Spokes

AERO Trail Evo

Round / 28

BTWIN All Terrain Dry 27,5 x 2,0

BTWIN All Terrain Dry 27,5 x 2,0

HAYES MX5 160 mm / 160 mm

HAYES MX5 160 mm / 160 mm

NAVY BLUE



YELLOW



GREY



BLUE

ROCKRIDER 540

 S / M / L / XL

 13,60 Kg

 459,99 €



MTB Helmet 500 Black	29,99 €
MTB Jersey 500 Red/Chine	25,99 €
MTB Short 500 Black	19,99 €
Undershirt 500	29,99 €
Backpack HB 500 Red	19,99 €
MTB Shoes 100 Black	39,99 €

ROCKRIDER Comfort Geometry Evolution Frame Alloy 6061 27,5"

SUNTOUR XCR 100 mm & Lock-Out

//

BTWIN Upside Down 0/30, 70 / 80 / 80 / 90 mm

BTWIN Sport Oversize 660 / 660 / 680 / 680 mm

BTWIN Sport Ribbed

BTWIN Ergofit Evo

BTWIN Sport 27,2 mm & Ergolock System

SHIMANO Altus M370

MICROSHIFT MS25 3 Speeds

SHIMANO Altus 9 Speeds

SHIMANO HG200-9 11/34

MIRANDA Beta Black 22/32/44

Thun Jive 3.0

KMC X9

BTWIN Flat Evo

AERO Trail Evo 27,5" Double Walls
28 Spokes

AERO Trail Evo

Round / 28

BTWIN All Terrain Light 27,5 x 2.0

BTWIN All Terrain Light 27,5 x 2.0

BTWIN by Tektro 160 mm / 160 mm

BTWIN by Tektro 160 mm / 160 mm



RED



WOMAN

ROCKRIDER 560

 S / M / L / XL

 12,90 Kg

 659,99 €



- MTB Helmet 500 Dark Blue **29,99 €**
- MTB Jersey 500 Yellow/Blue/White **25,99 €**
- MTB Short 500 Peacoat **19,99 €**
- Undershirt 500 **29,99 €**
- Backpack HB 500 Lemon **19,99 €**
- MTB Shoes 100 Black **49,99 €**

ROCKRIDER Comfort Geometry Pro Frame Alloy 6061 27,5"

ROCK SHOX 30 Silver Coil 100 mm & B'TWIN Combolock

//

B'TWIN Upside Down 0/30, 70 / 80 / 80 / 90 mm

B'TWIN Sport Oversize 660 / 660 / 680 / 680 mm

B'TWIN 920 Comfort

B'TWIN Ergofit Evo Soft Touch

B'TWIN Sport 27,2 mm & Ergolock System

SRAM X5 2x10

SRAM X5 2 Speeds

SRAM X5 10 Speeds

SRAM PG1020 11/36

SRAM S600 24/38

SRAM GXP

SRAM 10S

B'TWIN Flat Evo

AERO Trail Evo 27,5" Double Walls
28 Spokes

AERO Trail Evo

Round / 28

HUTCHINSON Cobra 27,5 x 2,1

HUTCHINSON Cobra 27,5 x 2,1

B'TWIN By TEKTRON 160 mm / 160 mm

B'TWIN By TEKTRON 160 mm / 160 mm

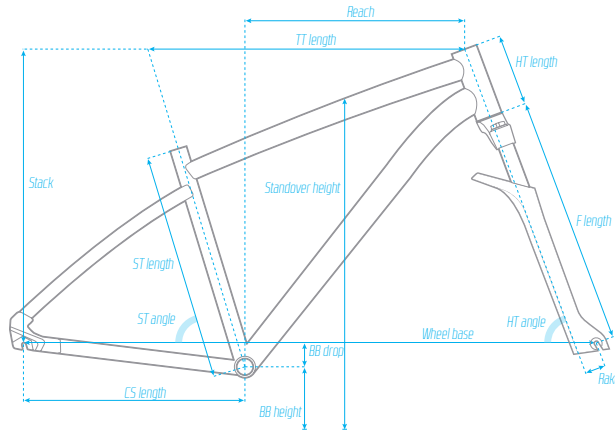


RED



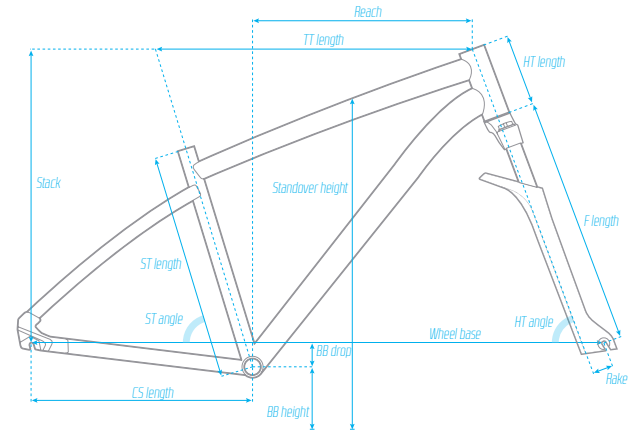
WOMAN

CGF^{EVO} (520 & 540)



	S	M	L	XL
TT Length	555 mm	585 mm	615 mm	635 mm
ST Length	421 mm	432 mm	443 mm	493 mm
HT Length	110 mm	130 mm	140 mm	160 mm
F Length	385 mm	385 mm	385 mm	385 mm
Rake	42 mm	42 mm	42 mm	42 mm
BB Height	307 mm	307 mm	307 mm	307 mm
BB Drop	43 mm	43 mm	43 mm	43 mm
Stack	545 mm	564 mm	573 mm	592 mm
Reach	375 mm	399 mm	426 mm	441 mm
CS Length (Horizontal)	430 mm	430 mm	430 mm	430 mm
Wheel Base	1090 mm	1126 mm	1157 mm	1183 mm
ST Angle	73°	73°	73°	73°
HT Angle	69,5°	69,5°	69,5°	69,5°
Stem Length	70 mm	70 mm	80 mm	90 mm
Handlebar Width	640 mm	640 mm	680 mm	680 mm

CGF^{PRO} (560)



CGF pro frame is 300g lighter than CGF evo frame, due to the double-butted design. The tapered head tube of CGF pro affords a better stiffness.

	S	M	L	XL
TT Length	555 mm	585 mm	615 mm	635 mm
ST Length	421 mm	432 mm	443 mm	493 mm
HT Length	110 mm	130 mm	140 mm	160 mm
F Length	385 mm	385 mm	385 mm	385 mm
Rake	42 mm	42 mm	42 mm	42 mm
BB Height	312 mm	312 mm	312 mm	312 mm
BB Drop	43 mm	43 mm	43 mm	43 mm
Stack	548 mm	567 mm	572 mm	586 mm
Reach	377 mm	401 mm	430 mm	445 mm
CS Length (Horizontal)	430 mm	430 mm	430 mm	430 mm
Wheel Base	1090 mm	1126 mm	1157 mm	1183 mm
ST Angle	73°	73°	73°	73°
HT Angle	69,5°	69,5°	69,5°	69,5°
Stem Length	70 mm	70 mm	80 mm	90 mm
Handlebar Width	640 mm	640 mm	680 mm	680 mm



ROCKRIDER 520S

 S / M / L / XL

 16,30 Kg

 399,99 €



MTB Helmet 500 Red/Chine	29,99 €
MTB Jersey 500 Fiery Red	25,99 €
MTB Short 500 Black	19,99 €
Undershirt 500	29,99 €
Backpack HB 500 Red	19,99 €
MTB Shoes 100 Black	39,99 €

-  ROCKRIDER Monopivot Comfort Geometry Frame Alloy 6061 27,5"
-  BTWIN U-Fit 120 mm with Lock System & Weight Adjuster System
-  BTWIN U-Fit 120 mm & Weight Adjuster System
-  BTWIN Upside Down 0/30 70 / 80 / 80 / 90 mm
-  BTWIN Sport Oversize 660 / 660 / 680 / 680 mm
-  BTWIN Sport Ribbed
-  BTWIN Ergofit Evo
-  BTWIN Sport 31,6 mm
-  SRAM X4
-  MICROSHIFT MS22 3 Speeds
-  SRAM X3 8 Speeds
-  SRAM PG820 11/32
-  SRAM S200 22/32/42
-  THUN Jive 3.0
-  SRAM PC830
-  BTWIN Flat Resine
-  AERO Trail Evo 27,5" Double Walls
28 Spokes
-  AERO Trail Evo
-  Round / 28
-  BTWIN All Terrain Light 27,5 x 2,1
-  BTWIN All Terrain Light 27,5 x 2,1
-  HAYES MX5 160 mm / 160 mm
-  HAYES MX5 160 mm / 160 mm



ROCKRIDER 540S

 M / L / XL

 14,50 Kg

 599,99 €



MTB Helmet 900 Red **39,99 €**
MTB Jersey 500 Red/Chine **25,99 €**
MTB Short 500 Black **19,99 €**
Undershirt 500 **29,99 €**
Backpack HB 520 Black **29,99 €**
MTB Shoes 100 Black **39,99 €**

-  ROCKRIDER Monopivot Comfort Geometry Frame Alloy 6061 27,5"
-  SUNTOUR XCR120 & Lock-Out
-  X FUSION E1 Air 120 mm
-  BTWIN Upside Down 0/30 80 / 80 / 90 mm
-  BTWIN Sport Oversize 660 / 660 / 680 / 680 mm
-  BTWIN Sport Ribbed
-  BTWIN Ergofit Evo
-  BTWIN Sport 31,6 mm & Ergolock System
-  SHIMANO Altus M370
-  MICROSHIFT M25 3 Speeds
-  SHIMANO Altus 9 Speeds
-  SHIMANO HG200-9 11/34
-  MIRANDA Beta Black 22/32/44
-  THUN Jive 3.0
-  KMC X9
-  BTWIN Flat Evo
-  AERO Trail Evo 27,5" Double Walls 28 Spokes
-  AERO Trail Evo
-  Round / 28
-  BTWIN All Terrain Light 27,5 x 2,2
-  BTWIN All Terrain Light 27,5 x 2,2
-  BTWIN By TEKTRO 160 mm / 160 mm
-  BTWIN By TEKTRO 160 mm / 160 mm



ROCKRIDER 560S

 M / L / XL

 13,50 Kg

 899,99 €



- MTB Helmet 500 Dark Blue **29,99 €**
- MTB Jersey 500 Red/Chine **25,99 €**
- MTB Short 500 Peacoat **19,99 €**
- Undershirt 500 **29,99 €**
- Backpack HB 520 Lemon **29,99 €**
- MTB Shoes 500 Black **49,99 €**

 ROCKRIDER Monopivot Comfort Geometry PRO Frame Alloy 6061 27,5"

 ROCK SHOX 30 Silver Air 120 mm & BTWIN Combolock

 X FUSION 02 Pro-L Air 120 mm & BTWIN Combolock

 BTWIN Upside Down 0/30, 80 / 80 / 90 mm

 BTWIN Sport Oversize 660 / 660 / 680 / 680 mm

 BTWIN 920 Comfort

 BTWIN Ergofit Evo Soft Touch

 BTWIN Sport 31,6 mm & Ergolock System

 SHIMANO Deore

 SHIMANO Deore Sideswing 2 Speeds

 SHIMANO Deore 10 Speeds


 SHIMANO Deore 11/36

 SHIMANO Deore 24/38

 SHIMANO Deore Extern BB

 KMC X10

 BTWIN Flat Evo

 AERO Trail Evo 27,5" Double Walls
28 Spokes

 AERO Trail Evo

 Round / 28

 HUTCHINSON Taipan 27,5 x 2,2

 HUTCHINSON Taipan 27,5 x 2,2

 BTWIN By TEKTRO 160 mm / 160 mm

 BTWIN By TEKTRO 160 mm / 160 mm



ROCKRIDER 740S







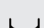



 M / L / XL

 12,7 Kg

 1399,99 €

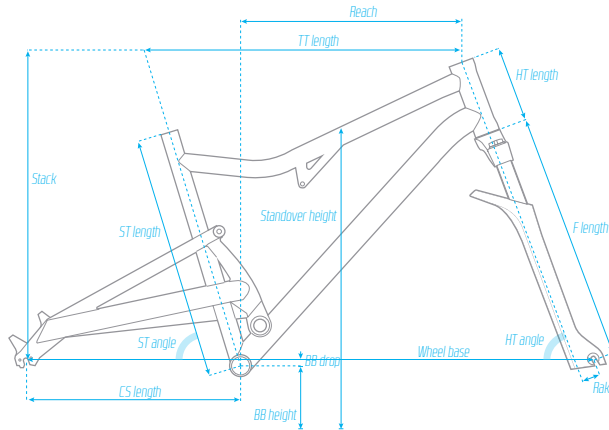


MTB Helmet 500 Blue **29,99 €**
MTB Jersey 500 Black/Blue **25,99 €**
MTB Short 500 Black **19,99 €**
Undershirt 500 **29,99 €**
Backpack HB 500 Blue **19,99 €**
MTB Shoes 500 Black **49,99 €**

-  ROCKRIDER Neuf 120 mm Alloy
-  MANITOU Minute Comp 120 mm & 15 mm axle
-  MANITOU Radium Expert with Remote Lock Out
-  BTWIN Comp 80 / 90 / 100 mm
-  BTWIN Comp 690 mm Low Rise
-  BTWIN Sport
-  BTWIN Comp Aluminium 29,8 mm x 350
-  SRAM GX
-  //
-  SRAM GX 11 S
-  SRAM PG1130 11/42
-  SRAM GX 30 T Aluminium Ring
-  SRAM GXP
-  PC 1110
-  BTWIN Flat Evo
-  MAVIC Cross Ride FT SX 27,5" (Rear Axle : 135 x 9)
(Front Axle : 100 x 15)
-  MAVIC Cross Ride Steel
-  Round / 24
-  HUTCHINSON Toro TR 27,5 x 2,1
-  HUTCHINSON Taipan TR 27,5 x 2,1
-  HAYES Prime Sport 180 mm / 160 mm
-  HAYES Prime Sport 180 mm / 160 mm

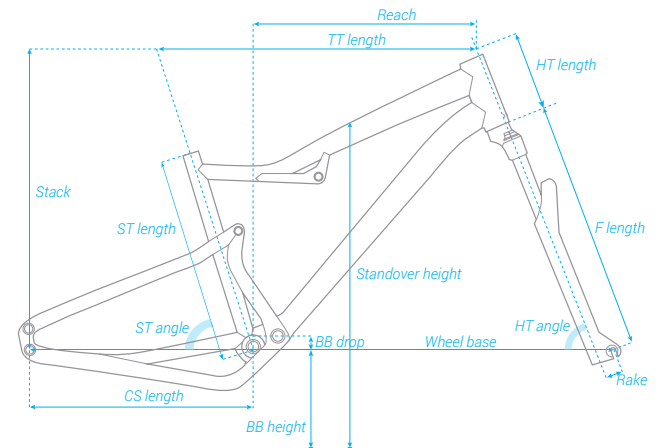


RR^S (520S)



	M	L	XL
TT Length	595 mm	620 mm	640 mm
ST Length	395 mm	445 mm	495 mm
HT Length	105 mm	120 mm	135 mm
F Length	495 mm	495 mm	495 mm
Rake	40 mm	40 mm	40 mm
BB Height	330 mm	330 mm	330 mm
BB Drop	10 mm	10 mm	10 mm
Stack	571 mm	590 mm	609 mm
Reach	412 mm	437 mm	456 mm
CS Length (Horizontal)	425 mm	425 mm	425 mm
Wheel Base	1094 mm	1125 mm	1151 mm
ST Angle	73°	73°	73°
HT Angle	69,5°	69,5°	69,5°
Stem Length	? mm	? mm	90 mm
Handlebar Width	680 mm	680 mm	680 mm

RR^{EVO & PRO} (540S & 560S)

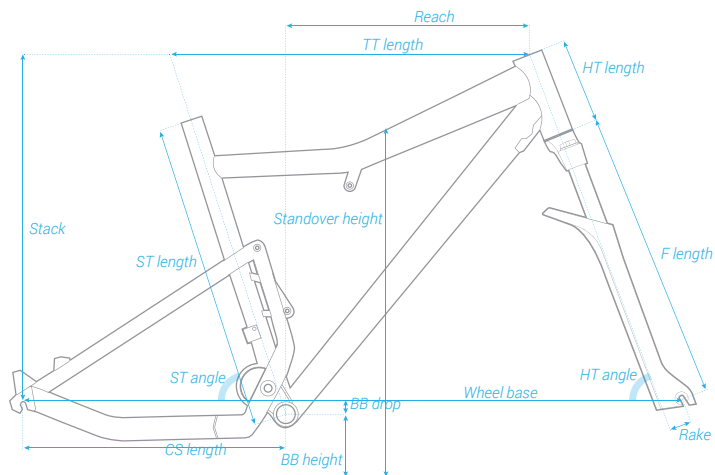


CGF pro frame is 300g lighter than CGF evo frame, due to the double-butted design. The tapered head tube of CGF pro affords a better stiffness.

	S	M	L	XL
TT Length	555 mm	585 mm	615 mm	635 mm
ST Length	443 mm	443 mm	443 mm	483 mm
HT Length	110 mm	130 mm	140 mm	155 mm
F Length	508 mm	508 mm	508 mm	508 mm
Rake	42 mm	42 mm	42 mm	42 mm
BB Height	336 mm	336 mm	336 mm	336 mm
BB Drop	25 mm	25 mm	25 mm	25 mm
Stack	567 mm	581 mm	590 mm	604 mm
Reach	377 mm	403 mm	430 mm	446 mm
CS Length (Horizontal)	436 mm	436 mm	436 mm	436 mm
Wheel Base	1082 mm	1113 mm	1144 mm	1165 mm
ST Angle	73°	73°	73°	73°
HT Angle	68,5°	68,5°	68,5°	68,5°
Stem Length	90 mm	90 mm	90 mm	90 mm
Handlebar Width	680 mm	680 mm	680 mm	680 mm




AMF (740S)



	M	L	XL
TT Length	580 mm	600 mm	620 mm
ST Length	433 mm	465 mm	526 mm
HT Length	128 mm	136 mm	144 mm
F Length	507 mm	507 mm	507 mm
Rake	42 mm	42 mm	42 mm
BB Height	330 mm	330 mm	330 mm
BB Drop	17,3 mm	17,3 mm	17,3 mm
Stack	540 mm	569 mm	597 mm
Reach	412 mm	433 mm	454 mm
CS Length (Horizontal)	452 mm	452 mm	452 mm
Wheel Base	1069 mm	1100 mm	1131 mm
ST Angle	72°	72°	72°
HT Angle	68,5°	68,5°	68,5°
Stem Length	80 mm	90 mm	100 mm
Handlebar Width	690 mm	690 mm	690 mm

ROCKRIDER 900


 S / M / L / XL

 12,05 Kg

 899,99 €



BH 900 Road Aerofit Black/Yellow 49,99 €
MTB Jersey 900 Yellow 49,99 €
MTB Short 900 Black 39,99 €
Undershirt 500 29,99 €
Backpack HB 920 49,99 €
MTB Shoes 900 Carbon 139,99 €

-  ROCKRIDER Aluminium XC 27,5"
-  MANITOU M30 Air 100 mm
-  //
-  BTWIN Comp Alloy 80 / 90 / 100 mm
-  BTWIN Comp Flat 680 mm
-  ROCKRIDER 900 Light Lock On
-  ROCKRIDER 900 Light
-  BTWIN Comp Aluminium 29,8 mm x 350
-  SRAM NX
-  //
-  SRAM NX 11 S
-  SRAM PG1130 11/42
-  SRAM NX 30 T Steel Ring
-  SRAM GXP
-  PC 1110
-  BTWIN Flat Pro
-  MAVIC Cross Ride FTS-X 27,5" (Rear Axle : 135 x 9)
(Front Axle : 100 x 9)
-  MAVIC Cross Ride FTS-X Steel
-  Round / 24
-  HUTCHINSON Python 2 27,5 x 2,1
-  HUTCHINSON Python 2 27,5 x 2,1
-  TEKTRO TKD32 160 mm
-  TEKTRO TKD32 160 mm



ROCKRIDER 920








 M / L / XL

 11,20 Kg

 1249,99 €



- BH 900 Road AeroFit White/Black 49,99 €
- Jersey 900 Yellow/Grey 45,99 €
- Bibshort 900 49,99 €
- Bike Bottle 650 ML 3,99 €
- MTB Shoes 900 Carbon 139,99 €

-  ROCKRIDER Aluminium XC Comp 27,5"
-  ROCK SHOX Reba RL 100 mm & 15 mm Axle
-  //
-  BTWIN Comp Alloy 80 / 90 / 100 mm
-  BTWIN Comp Flat 680 mm
-  ROCKRIDER 900 Light Lock On
-  ROCKRIDER 900 Light
-  BTWIN Comp Aluminium 31,6 mm x 400
-  SRAM GX
-  //
-  SRAM GX 11 S
-  SRAM XG1150 10/42
-  SRAM GX 30 T Aluminium Ring
-  SRAM BB92 GXP
-  PC 1110
-  BTWIN Flat Pro
-  MAVIC Cross Ride 27,5" (Rear Axle : 135 x 9)
(Front Axle : 100 x 15)
-  MAVIC Cross Ride
-  Round / 24
-  HUTCHINSON Python 2 27,5 x 2,1
-  HUTCHINSON Python 2 27,5 x 2,1
-  SRAM Level 160 mm
-  SRAM Level 160 mm



ROCKRIDER 960


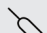



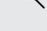



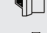












 M / L / XL

 10,60 Kg

 1599,99 €

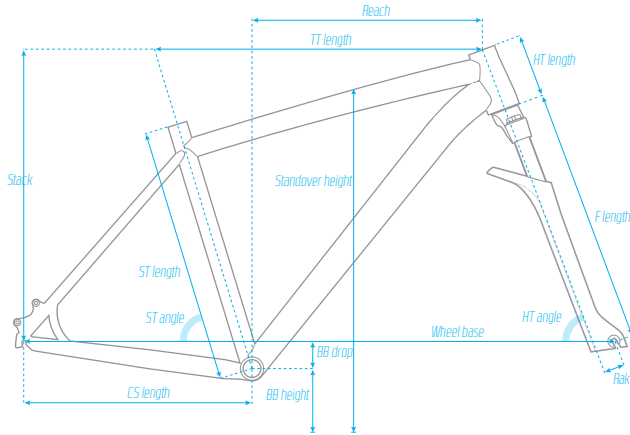


BH 900 Road AeroFit Black/Yellow	49,99 €
Jersey AeroFit900 Grey/Yellow	49,99 €
Bibshort 900 Black/Yellow	49,99 €
Bike Bottle 650 ML	3,99 €
MTB Shoes 900 Carbon	139,99 €

-  ROCKRIDER Carbon XC 27,5"
-  ROCK SHOX Reba RL 100 mm & 15 mm Axle
-  //
-  BTWIN Comp Alloy 80 / 90 / 100 mm
-  BTWIN Comp Flat 680 mm
-  ROCKRIDER 900 Light Lock On
-  ROCKRIDER 900 Light
-  BTWIN Comp Carbon 27,2 mm x 400
-  SRAM GX
-  //
-  SRAM GX 11 S
-  SRAM PG1130 11/42
-  SRAM GX 32 T Aluminium Ring
-  SRAM BB92 GXP
-  PC 1110
-  BTWIN Flat Pro
-  MAVIC Cross Ride 27,5" (Rear Axle : 142 x 12)
(Front Axle : 100 x 15)
-  MAVIC Cross Ride Steel
-  Round / 24
-  HUTCHINSON Cobra 27,5 x 2,1
-  HUTCHINSON Cobra 27,5 x 2,1
-  SRAM Level 160 mm
-  SRAM Level 160 mm

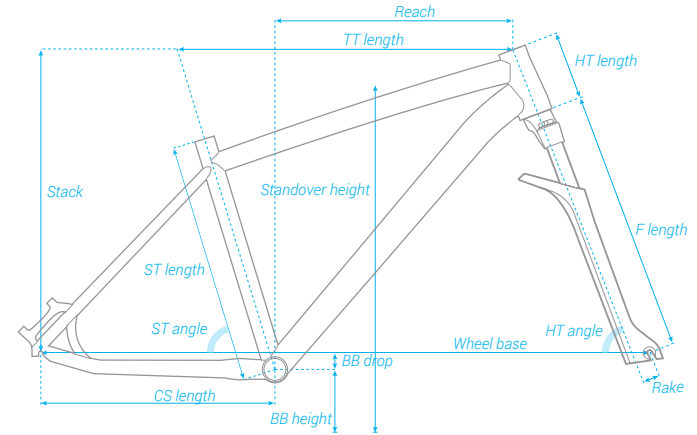


MTB (900)



	M	L	XL
TT Length	595 mm	620 mm	640 mm
ST Length	432 mm	483 mm	534 mm
HT Length	105 mm	117 mm	130 mm
F Length	486 mm	486 mm	486 mm
Rake	42 mm	42 mm	42 mm
BB Height	291 mm	291 mm	291 mm
BB Drop	49,5 mm	49,5 mm	49,5 mm
Stack	542 mm	553 mm	565 mm
Reach	414 mm	436 mm	452 mm
CS Length (Horizontal)	435 mm	435 mm	435 mm
Wheel Base	1098 mm	1124 mm	1145 mm
ST Angle	73°	73°	73°
HT Angle	69,5°	69,5°	69,5°
Stem Length	80 mm	80 mm	80 mm
Handlebar Width	690 mm	690 mm	690 mm

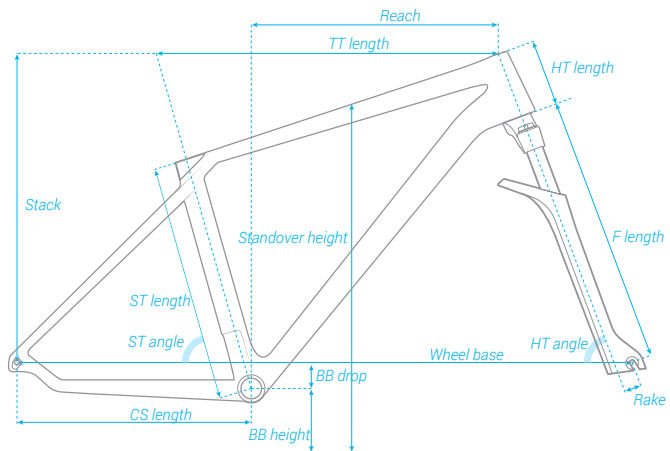
MTB^{EVO} (920)



	M	L	XL
TT Length	595 mm	620 mm	640 mm
ST Length	395 mm	445 mm	495 mm
HT Length	120 mm	125 mm	140 mm
F Length	486 mm	486 mm	486 mm
Rake	42 mm	42 mm	42 mm
BB Height	305 mm	305 mm	305 mm
BB Drop	30 mm	30 mm	30 mm
Stack	551 mm	560 mm	575 mm
Reach	417 mm	440 mm	455 mm
CS Length (Horizontal)	435 mm	435 mm	435 mm
Wheel Base	1102 mm	1128 mm	1149 mm
ST Angle	73°	73°	73°
HT Angle	69,5°	69,5°	69,5°
Stem Length	80 mm	90 mm	100 mm
Handlebar Width	680 mm	680 mm	680 mm



MTB^{PRO} (960)



	M	L	XL
TT Length	595 mm	620 mm	640 mm
ST Length	395 mm	445 mm	495 mm
HT Length	105 mm	120 mm	135 mm
F Length	489 mm	489 mm	489 mm
Rake	42 mm	42 mm	42 mm
BB Height	297 mm	297 mm	297 mm
BB Drop	43 mm	43 mm	43 mm
Stack	542 mm	556 mm	570 mm
Reach	416 mm	437 mm	453 mm
CS Length (Horizontal)	425 mm	425 mm	425 mm
Wheel Base	1089 mm	1115 mm	1136 mm
ST Angle	73°	73°	73°
HT Angle	69,5°	69,5°	69,5°
Stem Length	80 mm	90 mm	100 mm
Handlebar Width	680 mm	680 mm	680 mm

NOTES



